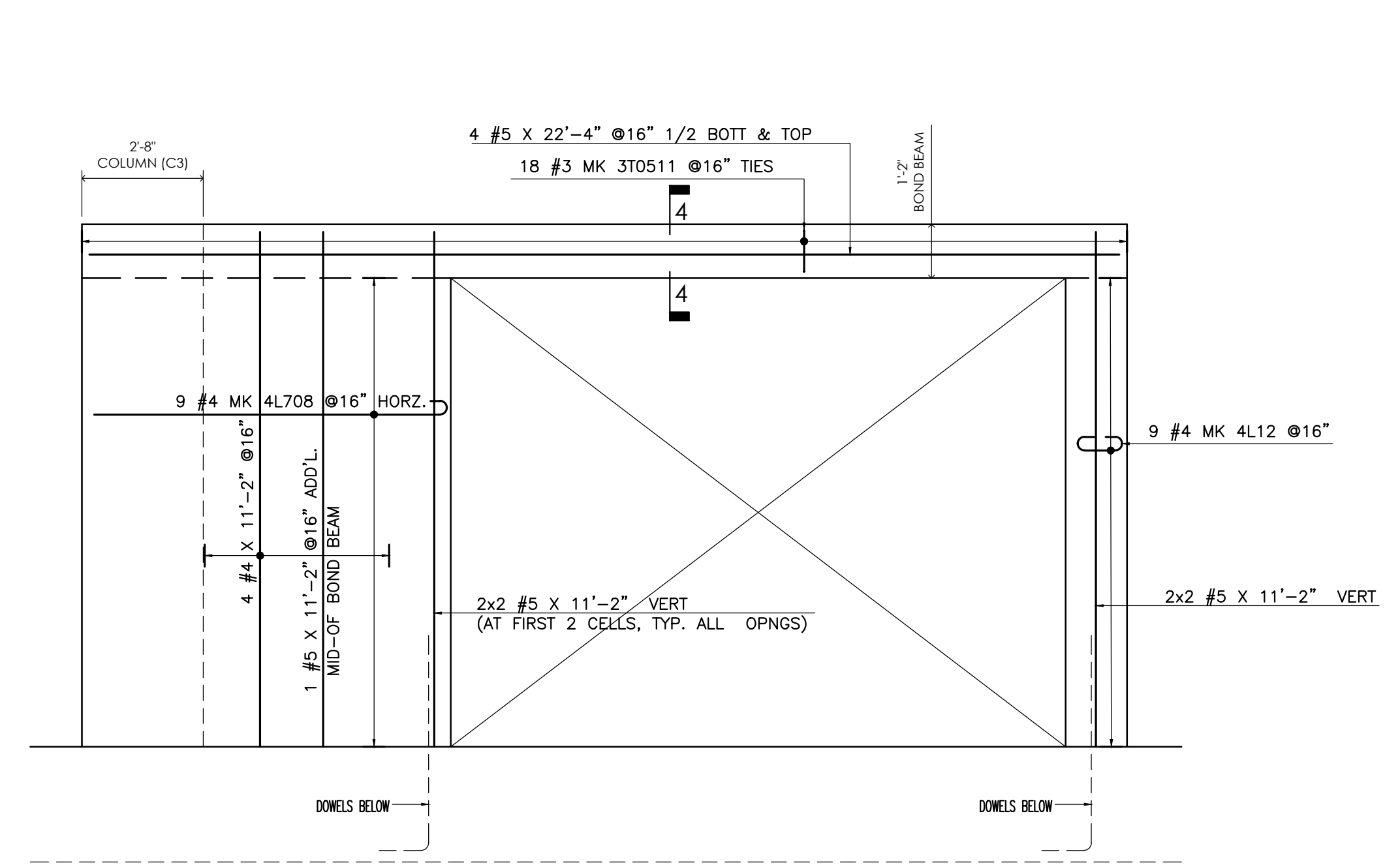
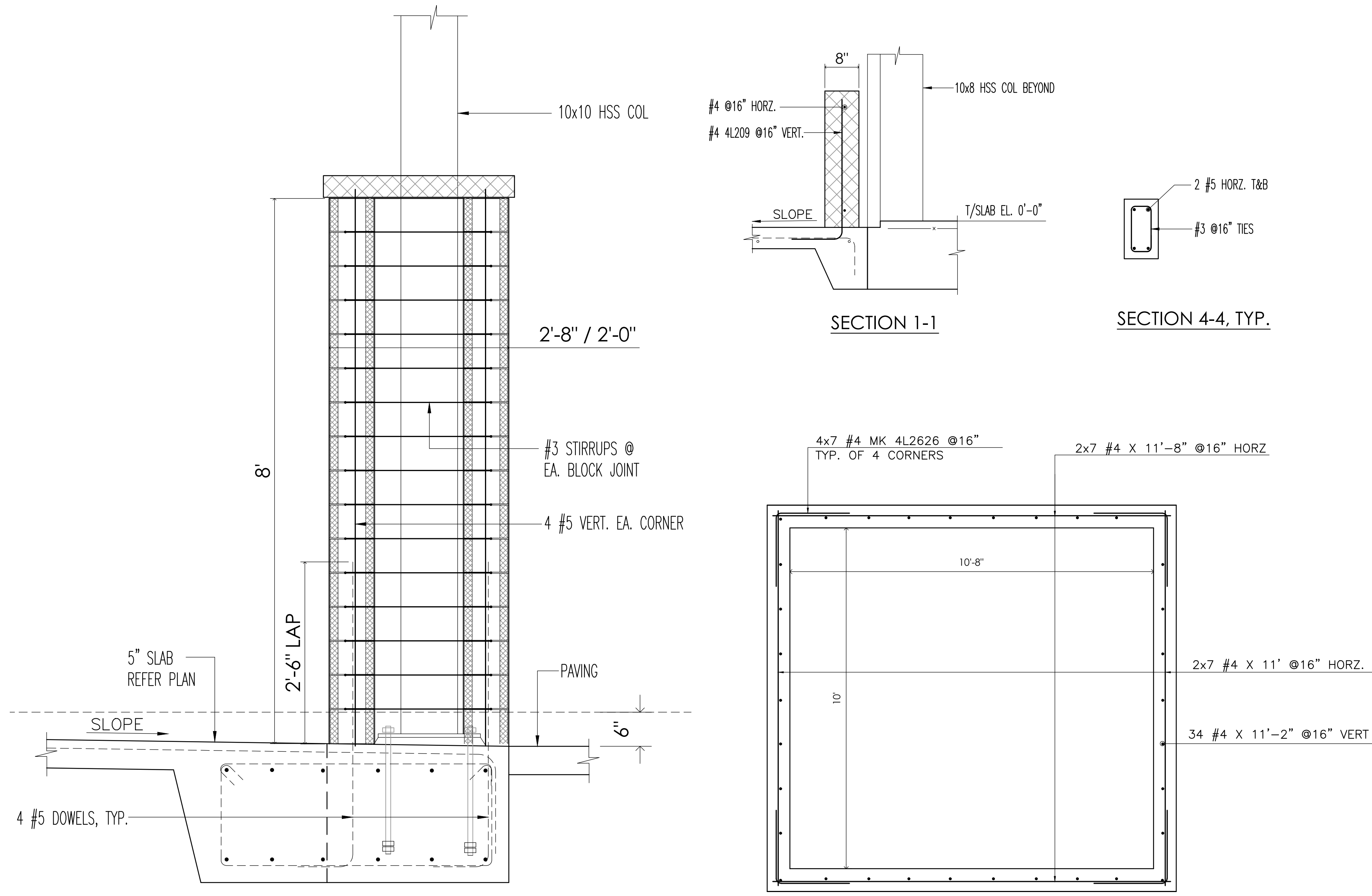
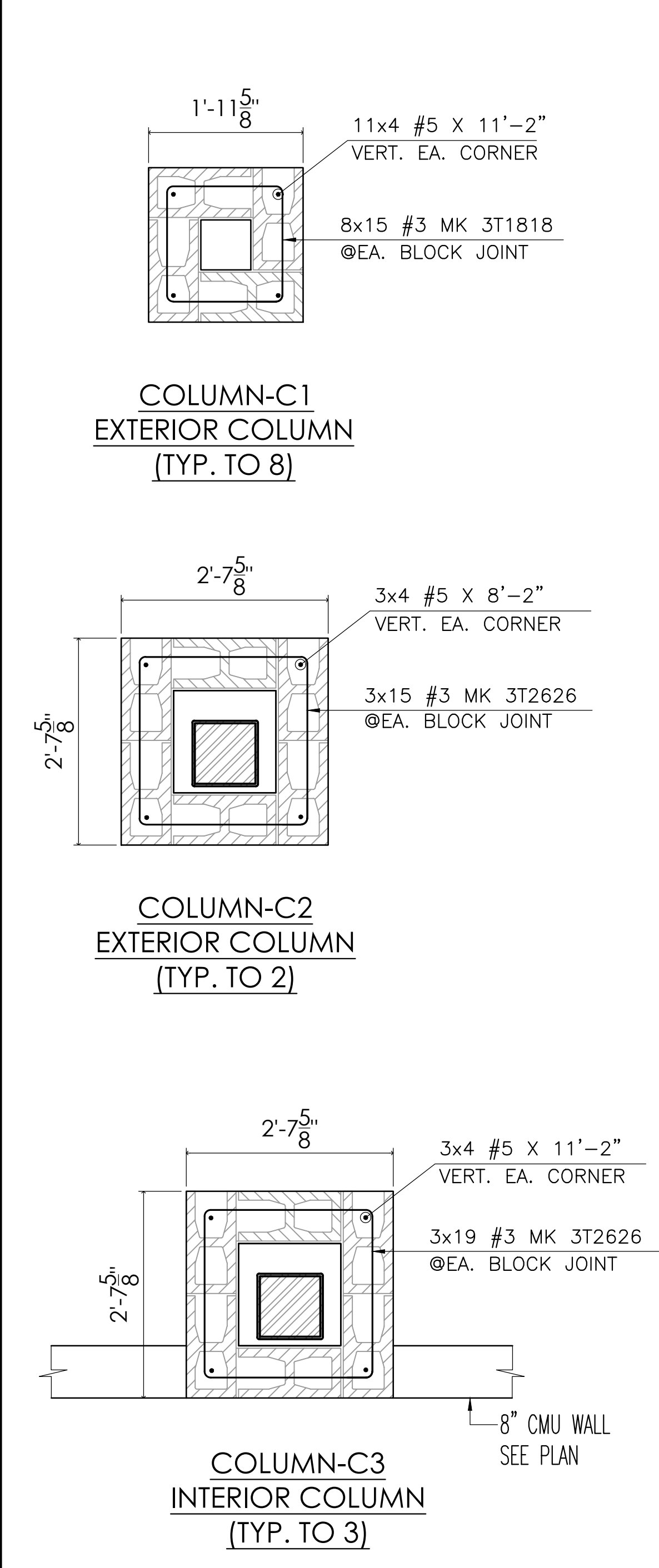


ELEVATION 2-2



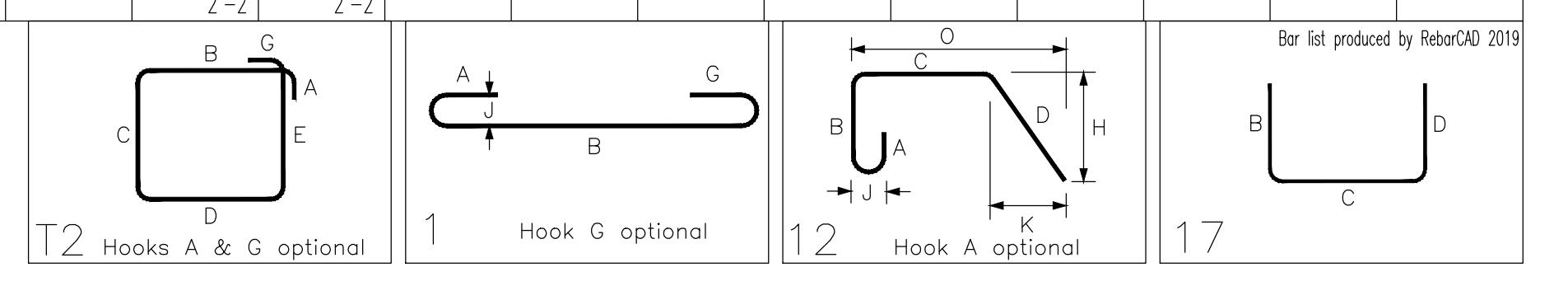
ELEVATION 3-3
IN 2 LOCATIONS



TYPICAL COLUMN DETAIL

CMU WALL REINFORCEMENT PLAN
(GUN ROOM)

Release Number:		BENDING DETAILS															
Bar Mark	Qty	Size	Total Length	Type	'x'	'y'	'z'	'u'	'v'	'w'	't'	's'	'r'	'q'	'p'	'o'	
3T0511	64	#3	3'-4"	T2	0'-4"	0'-11"	0'-5"	0'-11"	0'-5"								
3T1818	120	#3	6'-8"	T2	0'-4"	0'-4"	1'-6"	1'-6"	1'-6"								
3T2626	102	#3	9'-4"	T2	0'-4"	2'-2"	2'-2"	2'-2"	2'-2"								
4L12	9	#4	2'-0"	1	0'-6"	1'-0"								0'-4"			
4J200	20	#4	2'-6"	1	0'-6"	2'-0"								0'-4"			
4L708	9	#4	8'-2"	1	0'-6"	7'-8"								0'-4"			
4J4326	14	#4	6'-3"	12	0'-6"	3'-7"	2'-2"							0'-4"			
4L209	204	#4	3'-9"	17		2'-9"	1'-0"										
4L2626	28	#4	4'-4"	17		2'-2"	2'-2"										



NOTE:
 1. ALL CONCRETE SHALL BE f'c = 3,000 PSI
 2. ALL REBAR SHALL CONFORM TO ASTM A 615, GRADE 60
 3. WELDED WIRE FABRIC TO BE ASTM 185
 4. CONCRETE COVER:
 FOOTINGS = 3" TYP.
 OTHERS = 1 1/2" TYP.

DATE: _____

DWG. TITLE: CMU WALL AND COLUMN REINFORCEMENT AND TYP. DETAILS

JOB: _____

LOCATION: CABOT, ARKANSAS

ARCHITECT: _____

GC: _____

DRAWN BY: _____ DWG. No. R-05